

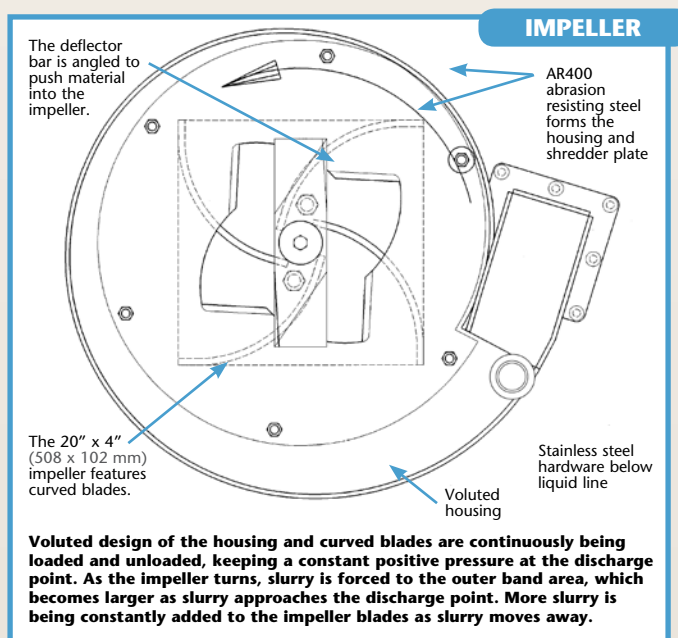
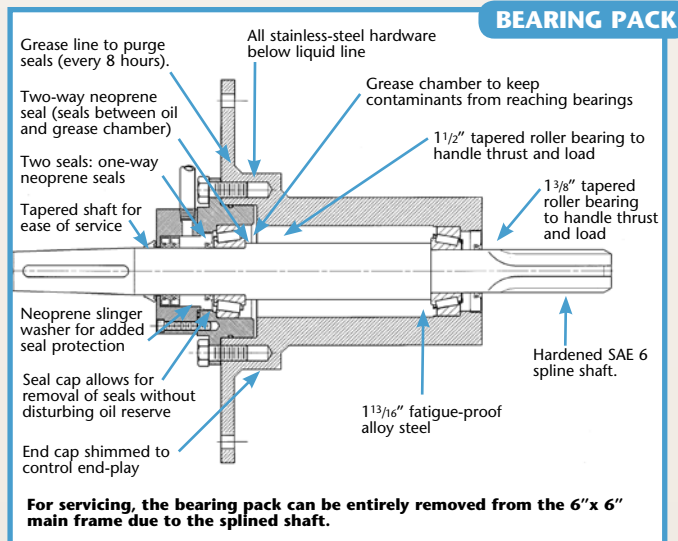
SPECIFICATIONS & Features		6000E	6000	8000	8000 HP
Maximum Recommended Distance From Pit To Storage	300 ft. of 6-inch PVC pipe.	■	■		
	350 ft. of 8-inch PVC pipe.			■	■
Minimum Tractor HP Requirements	100 HP	N/A	■	■	
	140 HP	N/A			■
Motor HP Requirements	Twin 15, 20, 25, or 30 HP 3-phase	■	N/A	N/A	N/A
Mounting	PTO Drive: 2-point hitch with hydraulics for tilting.		■	■	■
	Electric Drive: 2-point hitch with hydraulics used for removal for servicing.	■			
	Electric Drive: Slide & Tilt.	■			
Pump Lengths	6, 8, 10, and 12 feet (measured from the top of the pit cover to the pit floor).	■	■	■	■
Pump Capacity (Loading) (varies with moisture content)	Up to 2,200 gal./min.	■			
	Up to 2,500 gal./min.		■		
	Up to 3,000 gal./min.			■	
	Up to 3,500 gal./min.				■
Pump Capacity (Agitation) (varies with moisture content) and nozzle size	Up to 3,000 gal./min.	■	■		
	Up to 3,500 gal./min.			■	
	Up to 4,000 gal./min.				■
RPMs	540 or 1000	N/A	■	■	■
Valves Function-ability	Shift at idle speed.		■	■	■
	On the go shift.	■			
Agitation	Optional agitation.	■	■	■	■
	Optional dual-level agitation and dual elevation control.		■	■	■

Contact your local Patz Dealer for more information.



Proven Performance You Can Count On!
Patz Corporation
 917 Business 141, POB 7 • Pound, Wisconsin 54161-0007
 Ph: (920) 897-2251 • Fax: (920) 897-2142
 www.patzcorp.com • info@patzcorp.com

PA-19077 Rev. 4/14 ©2002-2014 Patz Corporation Printed in U.S.A.



CAUTION: Never operate Patz equipment without all shields and guards in place. Safety is no accident. Before operating any piece of equipment, be sure to read and understand the operator's manual. This manual should be kept with the machine at all times. Additionally, make sure all safety shields and devices are functioning properly and are securely in place.

For some photos in this brochure, guards were removed for photographic purposes only to allow viewing of the equipment features. Before operating equipment, all guards must be in place. Because Patz continually improves and updates products, Patz reserves the right to change the construction of machines or attachments or any part thereof without incurring any obligation to make like changes on Patz machines, or attachments previously delivered. Specifications and prices subject to change without notice.

