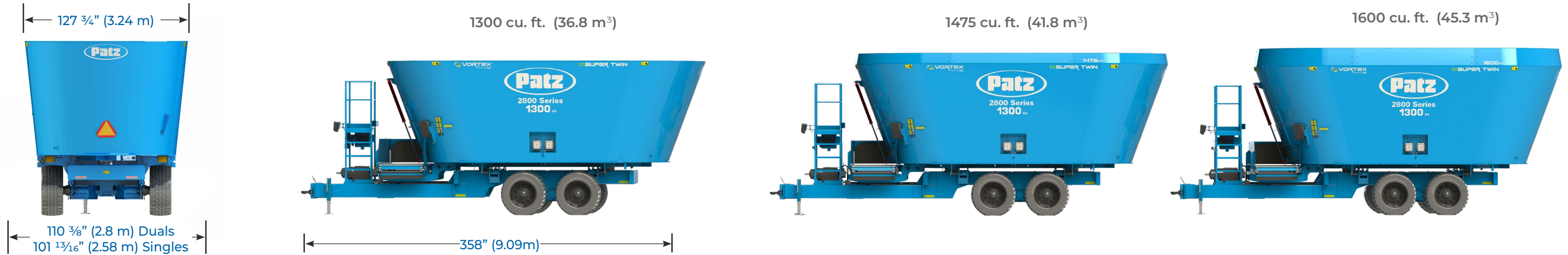


2800 Series Trailer Super Twin Screw Vertical Mixer Specifications



2800 Series Vortex®	U/M	1300XH	1475 FT ³ Size Kit	1600 FT ³ Size Kit
Mixing Capacity	ft ³ /m ³	1,300 (36.8)	1,475 (41.8)	1,600 (45.3)
Empty Weight	lbs (kg)	32,000 (14,515)	32,610 (14,792)	32,882 (14,915)
Max Load @ 35 lb/ft ³	lbs (kg)	45,500 (20,638)	51,625 (23,417)	56,000 (25,401)
Max Gross Weight	lbs (kg)	77,500 (35,153)	84,235 (38,208)	90,000 (40,823)
Overall Height	in (m)	Singles 137 3/8 (3.49); Duals 138 1/2 (3.52)	Singles 146 5/8 (3.72); Duals 147 3/4 (3.74)	Singles 153 3/8 (3.89); Duals 154 1/2 (3.91)
Floor Thickness	in (mm)		3/4 (19)	
Sidewall Thickness	in (mm)		3/8 (9)	
Door Opening Height x Width (Rear/Front)	in (mm)		34 (864) x 47 (1,194)	
Door Opening Height x Width (Side - 2 Locations)	in (mm)		39 (991) x 34 (864)	
Viewing Platform			Front w/ Left Access	
Screw Flighting Thickness	in (mm)		3/4 (19)	
Screw Height x Diameter	in (mm)		64 (1,626) x 108 (2,743) or 74 (1,880) x 108 (2,743)	
Knife Positions Per Screw			11	
Operating Speed	RPM		700 - 1,000	
Drive Package			T3 Autoshift	
Minimum PTO HP (Continuous Run)	HP		250	
Trailer Type			Split Dual; Tandem Walking Beam	
Scale System			4-Point	
Tires			(4) 445/50 R22.5 Single (8) 315/80 R22.5 Dual Tires	

OPTIONS				
Vertical Mixer Knives - Serrated - Raptor	Side Extensions - Rubber/Steel Size Kits - 1,475 ft ³ & 1,600 ft ³ for Added Mixing Capacity	Discharge Chute w/ or w/o Magnet Discharge Conveyor Tub Mounted Magnet	Selection of Indicators - Digi-Star® - dinamica generale® - Weigh-Tronix®	Camera Package Planetary Cooling System Hydraulic Control Center

SAFETY! It's no accident. **CAUTION:** Never operate Patz equipment without all shields and guards in place. **Safety Is No Accident.** Before operating any piece of equipment, be sure to read and understand the operator's manual. This manual should be kept with the machine at all times. Additionally, make sure all safety shields and devices are functioning properly and are securely in place. Specifications and prices subject to change without notice.