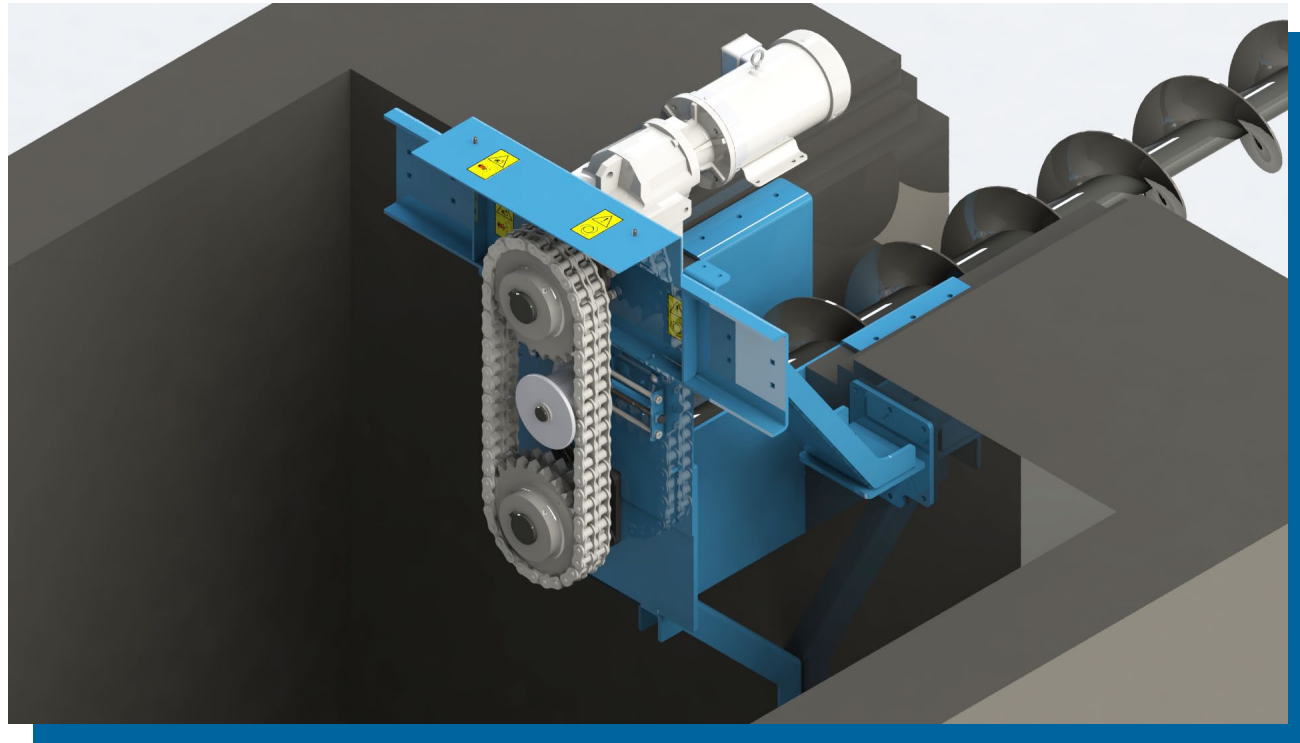


# MA-12 Cross Gutter Manure Auger WET CELL SPECIFICATIONS

Drive package options offer installation flexibility for above pit (dry) or immersed (wet) operation. The MA-12 may be integrated via Patz IntelliChain® and IntelliCable® Sentinel control panels into customer's automated Patz manure system and operates at 30 RPM.

## FOR RECEPTION PIT PULLER INSTALLATIONS:

- ▶ 5 HP up-to 120 ft with 60.44:1 Direct-drive gearbox
- ▶ 10 HP up-to 200 ft with 58.22:1 Direct-drive gearbox
- ▶ 1:1 HD Dual-chain drive linkage elevates drive package above pit
- ▶ Heavy duty, expanded drive mount with pit wall anchors

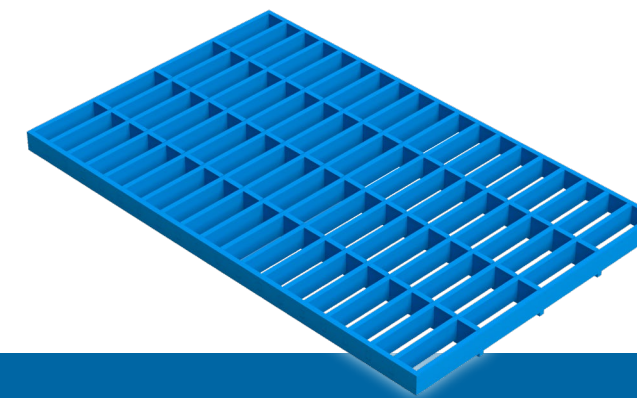
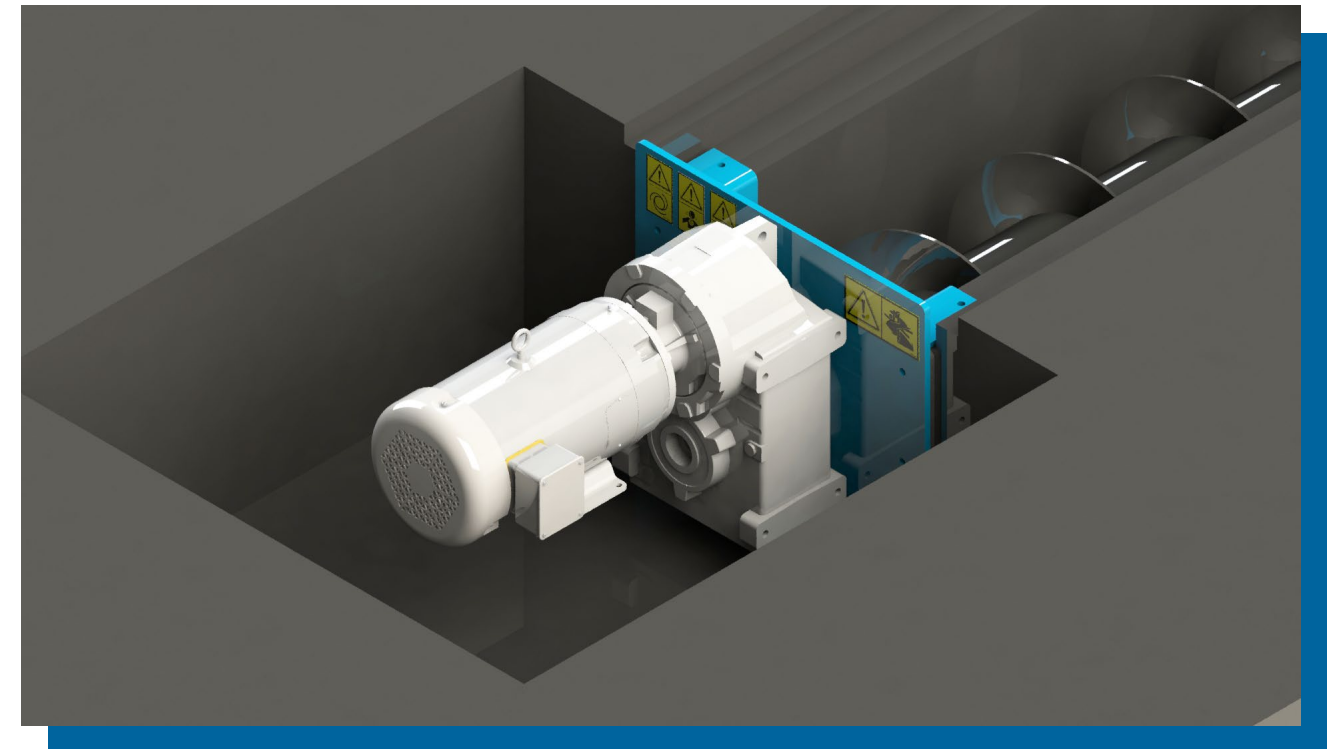


(GUARDING REMOVED FOR ILLUSTRATION PURPOSES ONLY)

# MA-12 Cross Gutter Manure Auger DRY CELL SPECIFICATIONS

## FOR CHANNEL-END PUSHER APPLICATIONS:

- ▶ 5 HP up-to 120 ft with 60.44:1 Direct-drive gearbox
- ▶ 10 HP up-to 200 ft with 58.22:1 Direct-drive gearbox
- ▶ Standard drive mount with channel wall anchors



## DON'T FORGET SAFETY!

Protect your farm family, employees, livestock, and equipment with required cross gutter grates!

