

# 2600 SERIES TRAILER TWIN SCREW VERTICAL MIXERS



## GROW YOUR HERD, EXPAND YOUR MIXER!

*NEW* TMR Vertical Mixer with *Size Kit Options*  
for Added Mixing Capacity!



## THE MOST TRUSTED MIXER THE MOST VALUED MIX

- ✓ **Consistent** TMR beyond demo and after the sale - precision feeding for service life.
- ✓ **Capacity** with Balanced Flow Technology™ - no dead spots at struck height!
- ✓ **Cleanout** minimizes residue carryover for balanced rations, batch integrity, and nutrient cost control.

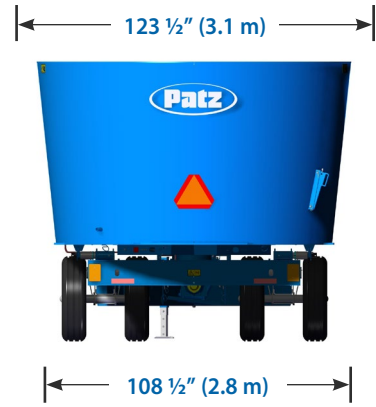
**FEEDING IS BELIEVING!**  
Schedule a DEMO Today!

**FEEDINGSOLUTIONS**  
[www.patzcorp.com](http://www.patzcorp.com)

**INVESTMENT FLEXIBILITY**  
Ask Dealer for Financing Details



# 2600 Series Trailer Twin Screw Vertical Mixer Specifications



2600 Series Vortex®	U/M	975	1115 FT³ Size Kit	1220 FT³ Size Kit
Mixing Capacity	ft³ (m³)	975 (27.6)	1,115 (31.6)	1,220 (34.5)
Empty Weight	lbs (kg)	19,600 (8,890.4)	20,150 (9,139.9)	20,400 (9,253.3)
XH Empty Weight	lbs (kg)	21,400 (9,706.9)	21,950 (9,956.4)	22,200 (10,069.8)
Max Load @ 25 lb/ft³	lbs (kg)	24,375 (11,056.3)	27,875 (12,643.9)	30,500 (13,834.6)
Max Gross Weight	lbs (kg)	43,975 (19,946.7)	48,025 (21,783.8)	50,900 (23,087.9)
XH Max Gross Weight	lbs (kg)	45,775 (20,763.2)	49,825 (22,600.2)	52,700 (23,904.3)
Overall Height	in (m)	109.8 (2.8)	119 (3)	126 (3.2)
Floor Thickness	in (mm)		3/4 (19)	
Sidewall Thickness	in (mm)		1/4 (6) / XH 3/8 (9)	
Door Opening Height x Width (Front/Back)	in (mm)		30 (762) x 42 (1,067)	
Door Opening Height x Width (Side - 2 Locations)	in (mm)		39 (991) x 34 (864)	
Viewing Platform			Front w/ Left Access	
Screw Flighting Thickness	in (mm)		5/8 (16) / XH 3/4 (19)	
Screw Height x Diameter	in (mm)		44 (1,117.6) x 108 (2,743) / 54 (1,371.6) x 108 (2,743) / 64 (1,625.6) x 108 (2,743)	
Knife Positions Per Screw			7 / 9 / 11	
Operating Speed	RPM		700 - 1,000	
Drive Package			2-Speed Manual or T2/T3 Autoshift	
Minimum PTO HP (Continuous Run)	HP		145 / 170 / 190	
Trailer Type			Split Dual; Tandem Walking Beam	
Scale System			4-Point	
Tires			(8) 245/70 R 19.5 Tubeless Implement Truck Tires	

OPTIONS				
Vertical Mixer Knives - Serrated - Raptor	Side Extensions - Rubber/Steel for 975 Size Kits - 1,115 ft³ & 1,220 ft³ for Added Mixing Capacity	Discharge Chute w/ or w/o Magnet Discharge Conveyor Tub Mounted Magnet	Selection of Indicators - Digi-Star® - dinamica generale® - Weigh-Tronix®	Camera Package Planetary Cooling System Hydraulic Control Center



**CAUTION:** Never operate Patz equipment without all shields and guards in place. **Safety Is No Accident.** Before operating any piece of equipment, be sure to read and understand the operator's manual. This manual should be kept with the machine at all times. Additionally, make sure all safety shields and devices are functioning properly and are securely in place. Specifications and prices subject to change without notice.





Patz Corporation • Pound, Wisconsin USA  
Ph: (920) 897-2251 • [info@patzcorp.com](mailto:info@patzcorp.com) • [www.patzcorp.com](http://www.patzcorp.com)

