

1200 SERIES STATIONARY SINGLE SCREW VERTICAL MIXERS



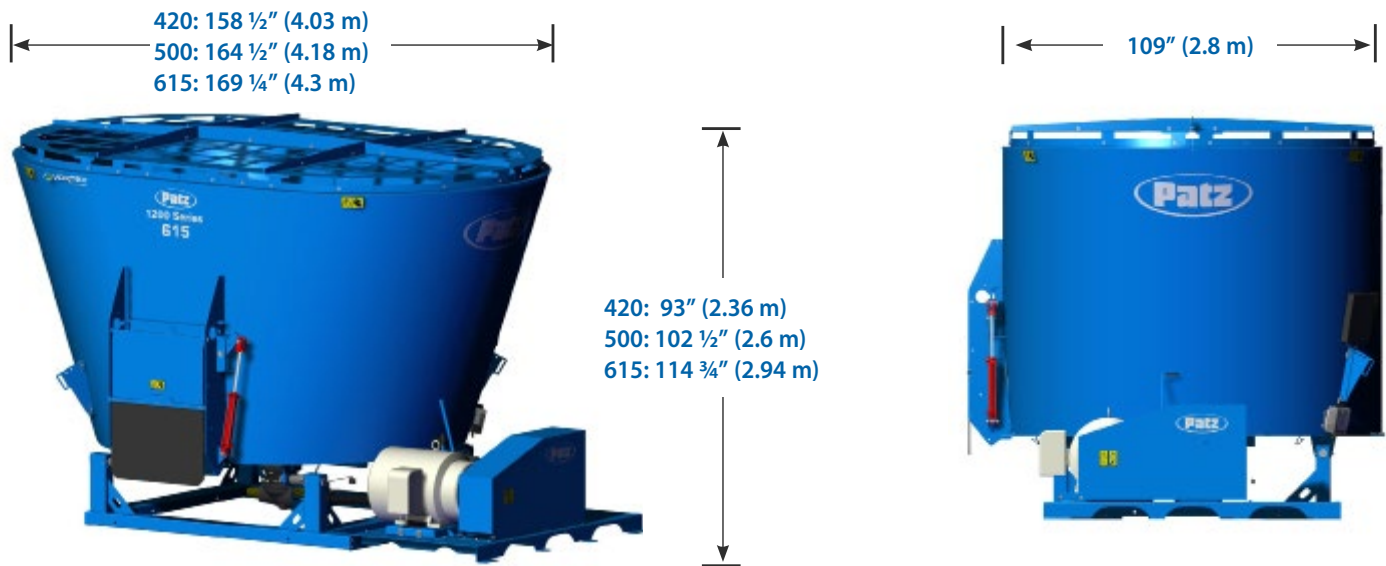
FEEDINGSOLUTIONS
www.patzcorp.com

FEEDING IS BELIEVING!
Schedule a DEMO Today!

INVESTMENT FLEXIBILITY
Ask Dealer for Financing Details



1200 Series Stationary Single Screw Vertical Mixer Specifications



1200 Series Vortex®	U/M	420	500	615
Mixing Capacity w/ Extensions (12 in)	ft ³ /m ³	490 (13.9)	575 (16.3)	690 (19.5)
Empty Weight	lbs (kg)	7,400 (3,357)	7,750 (3,516)	8,350 (3,788)
Max Load @ 25 lb/ft ³	lbs (kg)	10,500 (4,762)	12,500 (5,670)	15,375 (6,974)
Floor Thickness	in (mm)	3/4 (19)		
Sidewall Thickness	in (mm)	1/4 (6)		
Door Opening Height x Width (Side - 2 Locations)	in (mm)	39 (991) x 34 (864)		
Door Opening Height x Width (Back)	in (mm)	26 (660) x 42 (1,067)		
Screw Flighting Thickness	in (mm)	5/8 (16)		
*Screw Height x Diameter	in (mm)	34 x 108 (864 x 2,743)	44 x 108 (1,118 x 2,743)	54 x 108 (1,372 x 2,743)
Knife Positions		7	9	
Operating Speed	RPM	540 or 1,000	1,000	
Drive Package		Belt & Pulley; 2 Speed (PTO); Direct Electric Drive		
Minimum HP (Continuous Run)	HP	30-100, Drive Specific		
Scale System		4-Point		

*NOTE: For high hay rations (5% or more of total ration), including round bales, beilage, or large square, select shorter screw from next smallest unit in this series.

OPTIONS

Vertical Mixer Screw Knives	Discharge Chute w/ or w/o Magnet	Scale Systems	Ladder
Side Extensions	Discharge Conveyor	- Digi-Star®,	
Hay Retainer	Tub Mounted Magnet	- dinamica generale®	
		- Weigh-Tronix®	



CAUTION: Never operate Patz equipment without all shields and guards in place. **Safety Is No Accident.** Before operating any piece of equipment, be sure to read and understand the operator's manual. This manual should be kept with the machine at all times. Additionally, make sure all safety shields and devices are functioning properly and are securely in place. Specifications and prices subject to change without notice.