



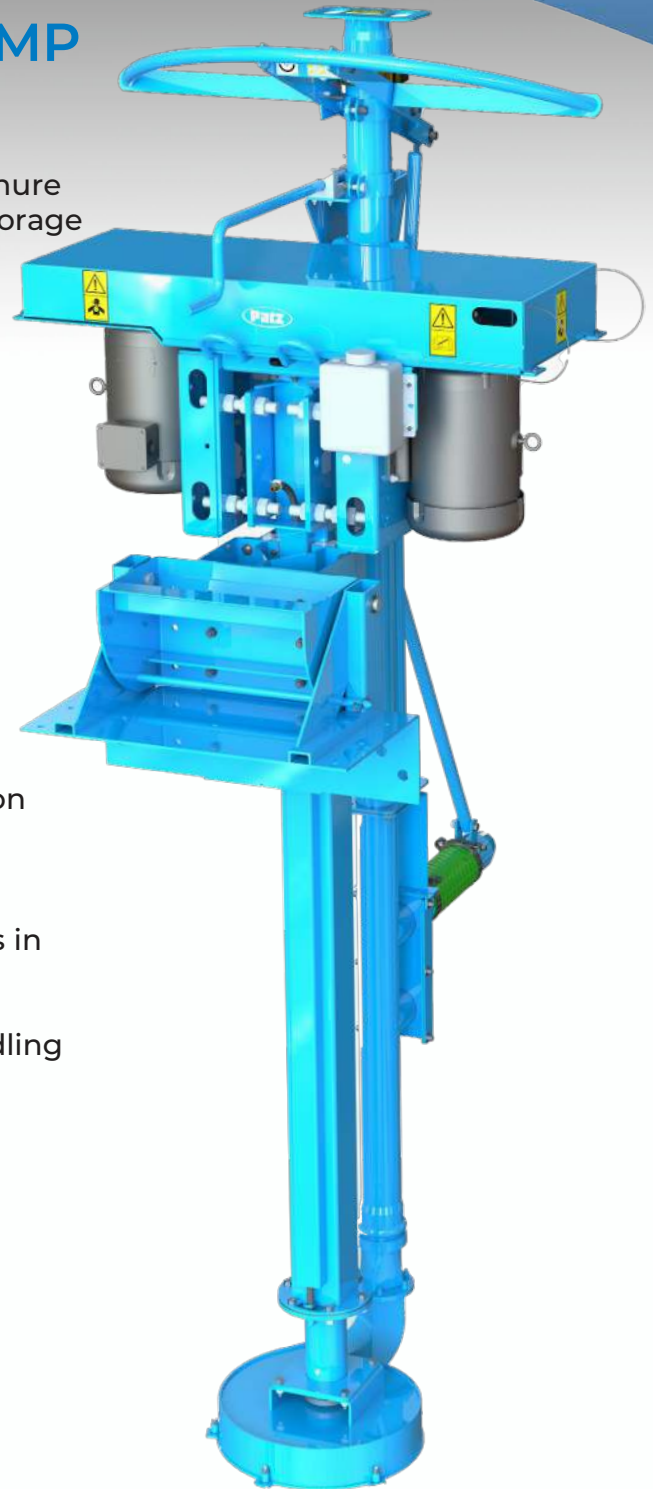
4444 MULTI-USE VERTICAL PUMP

HIGH PERFORMANCE 4" PUMP

Efficient, Versatile, & Durable

4444 is designed to agitate below-ground liquid-manure storage pits, transfer from temporary to long-term storage pits, and for loading liquid-manure spreaders. The pump mounts on a stationary base secured to a manure pit cover or wall.

- ✓ Transfers a variety of waste water consistencies
Works best on slurries 90-100% liquid
- ✓ Swept-back impeller blades save time with fast agitation and loading
- ✓ High volume flow. Pumps $\leq 1,580$ gpm
- ✓ Beveled shear plate aids in the reduction of compacted, dried and frozen material
- ✓ Three seals protect bearings against contamination
- ✓ Fits pit depths 66" - 154" (1.7 to 3.9m)
- ✓ High load carrying capacity with tapered bearings in oil bath
- ✓ Slide and tilt mount design for safe machine handling during service



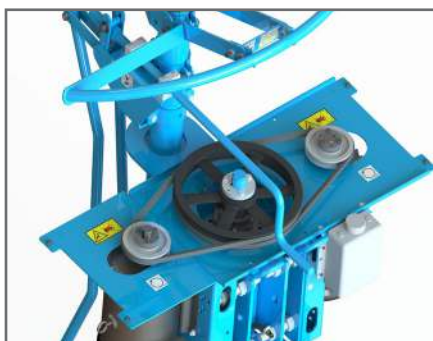
4444 Vertical Pit Pump

Features, Benefits & Specifications

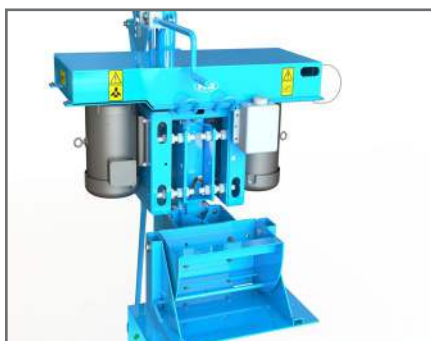
4444 Vertical Pit Pump

| | |
|----------------------------|---|
| Pump Length (feet) | 6, 8, 10, 12 |
| Pump Capacity, Maximum | 1,580 GPM (5,980 LPM) |
| Power Source | Single: 7.5 - 40 HP; Twin: 7.5 or 10 HP |
| Other Vertical Pump Models | 3333, 6000, 6000E, 8000, 8000HP |

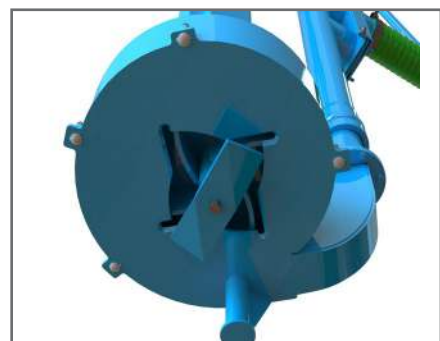
FEATURES



Choose from single motor, 7.5 - 40 HP, or twin motor, 7.5 or 10 HP, speed packages to meet your volume output requirements.



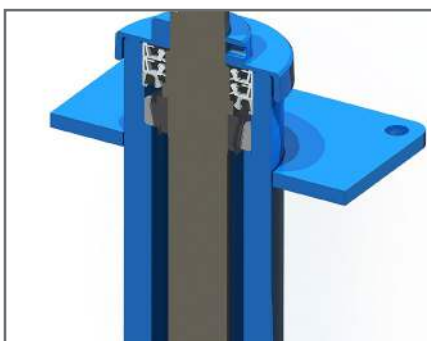
Easy lubrication with convenient oil and grease lines. A **transparent oil line** makes reading oil levels simple.



The **Shear Plate** minimizes clogging. The impeller blades swept-back design **increases pumping efficiency**. The impeller area is manufactured using AR-400 abrasion resistant steel to prevent rust and prolong life.



Adjustable upper nozzle (raises and lowers) handles many types of liquid manure and improves pit cleanout. Continue to transfer or load while agitating.



Protection against bearing contamination. The lower bearing's oil-bath chamber has three seals to keep contaminants out.



Optional: A rotating nozzle allows many types of liquid waste to be agitated plus cleanout is improved. **Waste can be transferred or loaded while agitating.**



CAUTION: Never operate Patz equipment without all shields and guards in place. **Safety Is No Accident.** Before operating any piece of equipment, be sure to read and understand the operator's manual. This manual should be kept with the machine at all times. Additionally, make sure all safety shields and devices are functioning properly and are securely in place. Specifications and prices subject to change without notice.

For some photos in this brochure, guards were removed for photographic purposes only to allow viewing of the equipment features. Before operating equipment, all guards must be in place. Because Patz continually improves and updates products, Patz reserves the right to change the construction of machines or attachments or any part thereof without incurring any obligation to make like changes on Patz machines, or attachments previously delivered. Specifications and prices subject to change without notice.