



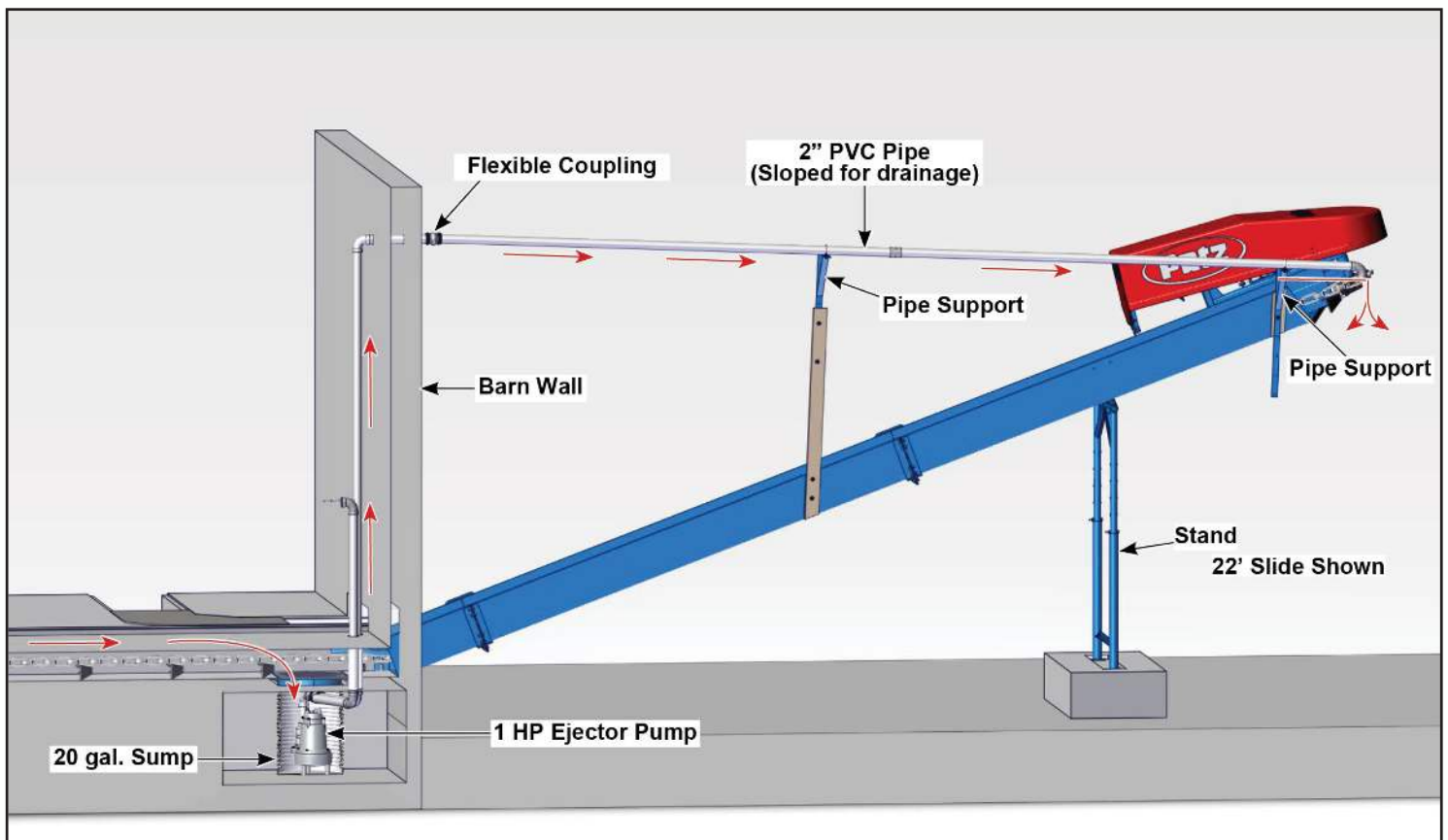
# 9000 LTS LIQUID TRANSFER SYSTEM

## SUBMERSIBLE, INDUSTRIAL-GRADE PUMP

*Removes Liquid Waste & Water*

The 9000 Liquid Transfer System is designed to remove excess liquids from the gutter while allowing the manure solids to travel up the slide.

- ✓ Use in combination with gutter cleaner or material mover
- ✓ Greatly reduces or eliminates rollback of manure as it travels up the slide
- ✓ Pump uses stainless steel parts and utilizes non-rusting PVC piping
- ✓ Quick & easy installation
- ✓ Lifts out easily for servicing

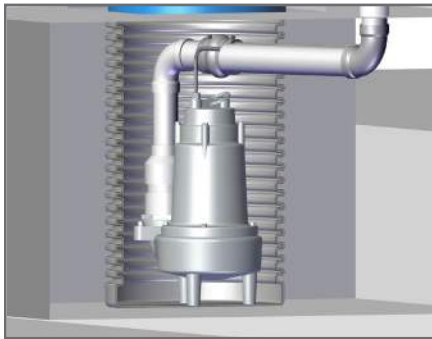


# 9000 Liquid Transfer System

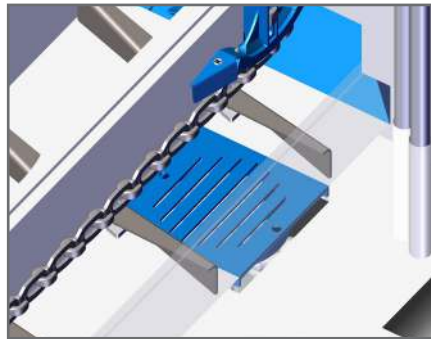
# Features, Benefits & Specifications

9000 Liquid Transfer System					
Pump Performance, GPM @ total head in feet <i>Subtract 2-1/2' (76.2mm) of head for every 90° elbow</i>	5' 180	10' 160	20' 100	30' 40	35' shut-off
Pump Motor	1 HP 1625 RPM; Single Phase; 230 Volts; 11 amps Full Load, 19.2 amps Starting; 93 lbs.; Maximum solids diameter: 2"				
Gutter Widths	15" - 20" (381mm - 508mm) Pipe supports should be every 10' apart				
Hole Size, Installation (depth below gutter bottom)	18" x 24" x 30" (457mm x 610mm x 762mm)				
PVC Pipe Size	2" and 3" PVC Schedule 40 w/ 2" x 3" PFTG Reducer <i>Pipe supports recommended every 10' (3m)</i>				
Weight, Pump	93 lbs				
Width, Pump (widest point)	14-3/32"				
Height, Pump (to top of handle)	17-3/16"				
Discharge, Pump	3 FNTP				
Suction Inlet Opening, Pump	3"				

## FEATURES



The "sump" is a poly container that the pump sits in. Liquid gets directed here from the gutter.



Liquid drops through the screen into the sump. Select from two slot sizes: 3/8" (9.525mm) and 5/8" (15.875mm).



Pipe supports the PVC along the slide of the material mover or gutter cleaner. Supports are recommended every 10' (3m).



**CAUTION:** Never operate Patz equipment without all shields and guards in place. **Safety Is No Accident.** Before operating any piece of equipment, be sure to read and understand the operator's manual. This manual should be kept with the machine at all times. Additionally, make sure all safety shields and devices are functioning properly and are securely in place. Specifications and prices subject to change without notice.

For some photos in this brochure, guards were removed for photographic purposes only to allow viewing of the equipment features. Before operating equipment, all guards must be in place. Because Patz continually improves and updates products, Patz reserves the right to change the construction of machines or attachments or any part thereof without incurring any obligation to make like changes on Patz machines, or attachments previously delivered. Specifications and prices subject to change without notice.