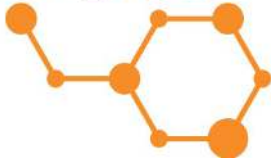


IntelliCable®

Alley Scraper



patz®



IntelliCable®
Alley Scraper
Pro II

IntelliCable®
Alley Scraper
Pro III

MANURE SOLUTIONS
www.patzcorp.com

**LET PATZ HANDLE YOUR MANURE
SO YOU DON'T HAVE TO!**
Work smarter. Not harder!

INVESTMENT FLEXIBILITY
Ask Dealer for Financing Details

IntelliCable® Alley Scraper Pro II

DRIVE UNIT

IntelliCable Pro II

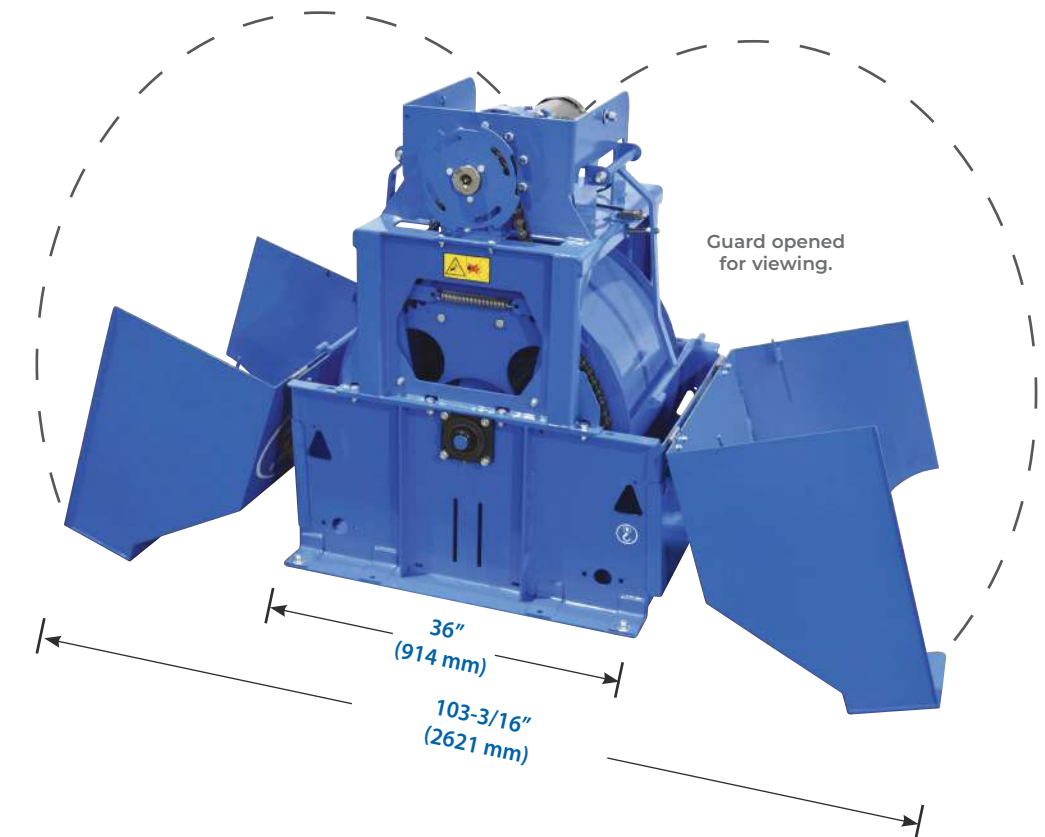
- ¾-hp electric motor
- Efficient 376:1 planetary speed reducer
- #80 roller chain drive
- 27½" (699 mm) diameter drive drum - 18½" (470 mm) wide
- 2 cable over wrap switches
- 3/8", 7/16", & 1/2" O.D. cable
- Safety interlocks
- External bearings with grease fittings
- Sensor disc and proximity sensors

Max. Scraped Alley Length (SAL) & Max. Total Circuit Length (TCL) w/4 Scrapers	Pro II ft. (m)
SAL with 1/2" Cable	215 (66)
SAL with 7/16" Cable	250 (76)
SAL with 3/8" Cable	280 (85)
TCL with 1/2" Cable	850 (259)
TCL with 7/16" Cable	1,000 (305)
TCL with 3/8" Cable	1,100 (335)

45-13/16"
(1164 mm)



32"
(813 mm)



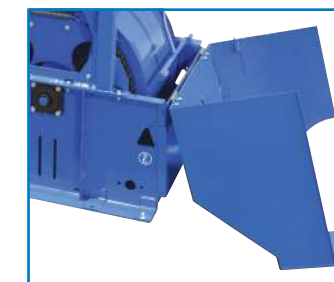
SELF-LOCKING RATCHET SYSTEM

The self-locking ratchet system allows easy tightening of cable.



SENSOR CONTROL

Provides the control panel with necessary information to keep track of scraper's position and direction.



GUARD DOORS

Provide safety for operators and protection for drive unit components. Opening a guard door will activate a safety interlock that automatically shuts the unit down.

NEW! SENTINEL CONTROL PANEL

- Patz innovative "Learning System."
- Fiberglass NEMA enclosure with easy-to-use, quick-connect electric cables with pre-wired junction box.
- Glove-friendly, easy-to-use, 7" (178 mm) color HMI touch screen display.
- Large, easy-to-recognize universal language icon navigation.
- 3 operational modes: MANual, CONTinuous, and AUTOMATIC (schedule up to 12 cycles per day).
- Auto Adjustable speed control.
- "Auxiliary Relay Function" allows the operator to automatically start another machine, lights, or horns by supplying a start signal.
- Superior sensitivity - programmable BUMP feature.
- Advanced "Patz Remote Notification" emails and/or text messages operator(s) with scraper status and service updates.

Transmits updates following corrective service.

- Faults are stored in memory up to 4 weeks—even if power is cycled. Allowing service technicians to quickly troubleshoot.
- Integrated LOCK-OUT/TAG-OUT power disconnect lever.
- HARD PULL one-button feature for freshly bedded alleys and/or excessive manure.
- QUICK CLEAN feature cleans alley in between scheduled cleanings.
- PARK feature positions scrapers out of way when needed (designate alternate scraper location other than HOME).
- Black plastic manual box included to protect Operator's and Parts Manuals from the environment.



IntelliCable® Alley Scraper Pro III DRIVE UNIT

IntelliCable Pro III

- ¾-hp electric motor
- Efficient 376:1 planetary speed reducer
- #80 roller chain drive
- 56" (1,422 mm) diameter drive drum - 18½" (470 mm) wide
- 2 cable over wrap switches
- 3/8", 7/16", & 1/2" O.D. cable
- Safety interlocks
- External bearings with grease fittings
- Sensor disc and proximity sensors

Max. Scraped Alley Length (SAL) & Max. Total Circuit Length (TCL) w/4 Scrapers	Pro III ft. (m)
SAL with 1/2" Cable	440 (134)
SAL with 7/16" Cable	510 (155)
SAL with 3/8" Cable	570 (174)
TCL with 1/2" Cable	1,760 (536)
TCL with 7/16" Cable	2,040 (622)
TCL with 3/8" Cable	2,280 (695)



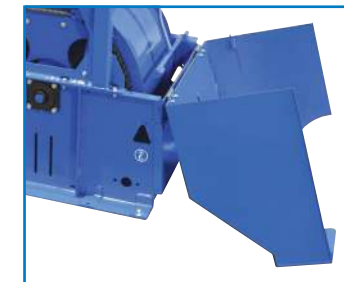
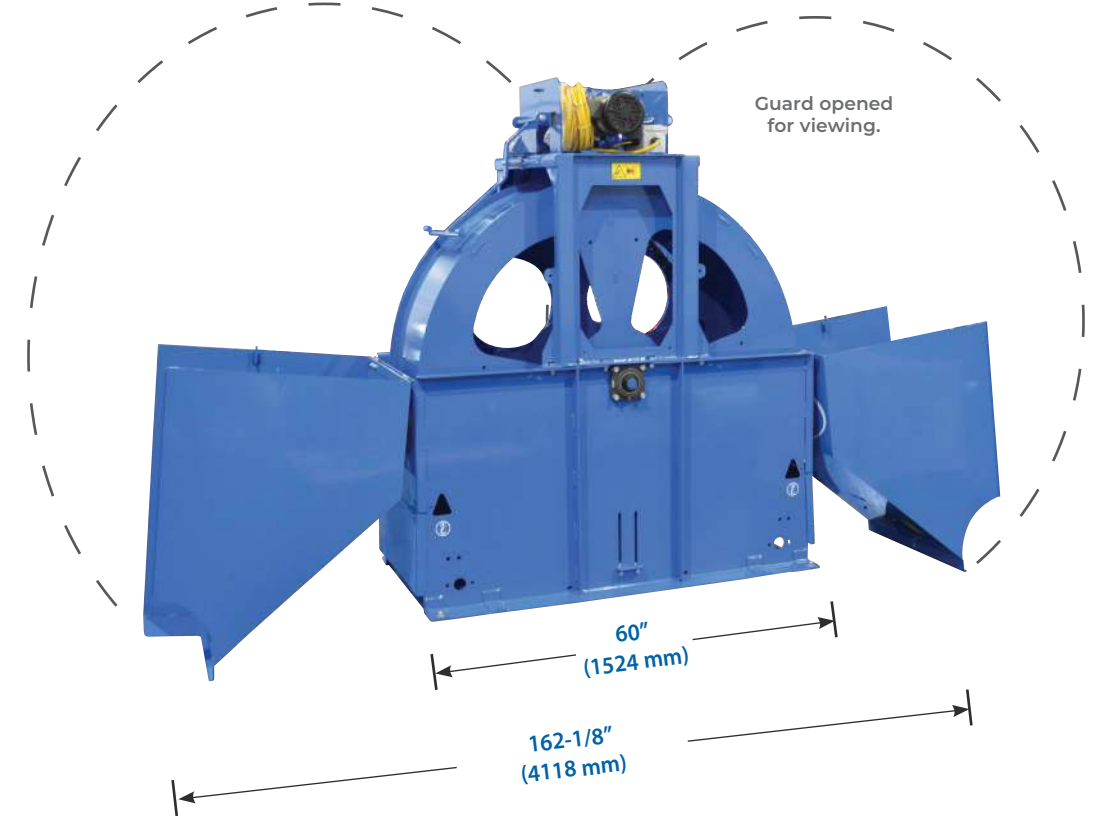
SELF-LOCKING RATCHET SYSTEM

The self-locking ratchet system allows easy tightening of cable.



SENSOR CONTROL

Provides the control panel with necessary information to keep track of scraper's position and direction.



GUARD DOORS

Provide safety for operators and protection for drive unit components. Opening a guard door will activate a safety interlock that automatically shuts the unit down.

NEW! SENTINEL CONTROL PANEL

- Patz innovative "Learning System."
- Fiberglass NEMA enclosure with easy-to-use, quick-connect electric cables with pre-wired junction box.
- Glove-friendly, easy-to-use, 7" (178 mm) color HMI touch screen display.
- Large, easy-to-recognize universal language icon navigation.
- 3 operational modes: MANual, CONTinuous, and AUTOMATIC (schedule up to 12 cycles per day).
- Auto Adjustable speed control.
- "Auxiliary Relay Function" allows the operator to automatically start another machine, lights, or horns by supplying a start signal.
- Superior sensitivity - programmable BUMP feature.
- Advanced "Patz Remote Notification" emails and/or text messages operator(s) with scraper status and service updates.

- Transmits updates following corrective service.
- Faults are stored in memory up to 4 weeks—even if power is cycled. Allowing service technicians to quickly troubleshoot.
- Integrated LOCK-OUT/TAG-OUT power disconnect lever.
- HARD PULL one-button feature for freshly bedded alleys and/or excessive manure.
- QUICK CLEAN feature cleans alley in between scheduled cleanings.
- PARK feature positions scrapers out of way when needed (designate alternate scraper location other than HOME).
- Black plastic manual box included to protect Operator's and Parts Manuals from the environment.



IntelliCable® Alley Scrapers

CUSTOMIZATION OPTIONS



LOW-PROFILE CORNER WHEEL

12" (305 mm) nominal diameter welded plate steel corner wheels feature a low-profile design. 2" (51 mm) diameter hardened axle and nylon sleeve bearings provide low maintenance and long life.



ROLLER BEARING CORNER WHEELS

Available in both single and dual chamber lubrication design, robust roller bearings in lubricated seal pack are ideal for sand bedding applications.



FOLDING V SCRAPER

Low-profile scraper wings and folding design allow easy passage for animals, tractors, and skid-steer loaders when bedding freestalls.

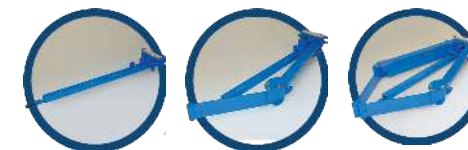
Replaceable wings available for easy servicing.

Cleans alleys with widths from 64 to 174 inches (1.6-4.4 m).



FOLDING ANGLED TIP-UP SCRAPER

Wings pivot to follow wall tightly for better cleaning. During the reverse movement, the blades tip up and the wings pivot inward. Heavy enough to clean better; extra steel in wear points. Cleans alleys with widths from 84 to 192 inches (2.1-4.9 m). Replacement blades and wings available for easy servicing. Scraper removes easily – center in slot and lift off. Scraper can be replaced without removing sled.



VERSA FOLDING V SCRAPER

Low-profile scraper wings and folding design allow easy passage for animals, tractors, and skid-steer loaders when bedding freestalls.

Cleans alleys with widths from 64 to 174 inches (1.6-4.4 m).

Optional choice of three economical, replaceable, bolt-on blade edges:

- AR400 STEEL for use with sand bedding.
- RUBBER for use with rubber mat floors.
- URETHANE for use with rubber mat floors or concrete (where floor wear is a concern) and sand bedding. This is a great alternative material for longer wear.

Universal scraper wings are replaceable.



PLASTIC JACKETED CABLE

Patz blue plastic jacketed galvanized steel cable is cow friendly with superior wear resistance against stretching, fraying, sand, sawdust, and manure. Provides longer service life than steel cable.



GALVANIZED AIRCRAFT CABLE

Cable is cut to ordered length. Available in: 3/8" (9.5 mm), 7/16" (11.1 mm), 1/2" (12.7 mm)



STAINLESS STEEL CABLE

Cable is cut to ordered length. Available in: 3/8" (9.5 mm), 7/16" (11.1 mm), 1/2" (12.7 mm)

FOR RUBBER FLOORING

Hard nylon rollers located on sled ends and scraper arms position the scraper above the rubber covered alleys, ensuring only rubber blades touch rubber flooring.



CAUTION: Never operate Patz equipment without all shields and guards in place. Safety is no accident. Before operating any piece of equipment, be sure to read and understand the operator's manual. This manual should be kept with the machine at all times. Additionally, make sure all safety shields and devices are functioning properly and are securely in place.



For some photos in this brochure, guards were removed for photographic purposes only to allow viewing of the equipment features. Before operating equipment, all guards must be in place. Because Patz continually improves and updates products, Patz reserves the right to change the construction of machines or attachments or any part thereof without incurring any obligation to make like changes on Patz machines, or attachments previously delivered. Specifications and prices subject to change without notice.



Patz Corporation • Pound, Wisconsin USA
Ph: (920) 897-2251 • info@patzcorp.com • www.patzcorp.com

